

SHOULDER ELECTRONICS LIMITED

SPECIFICATION FOR APPROVAL

D A T E : 2012-08-03

CUSTOMER	
PRODUCT TYPE	3225 TCXO(3.0V -30/85°C ±0.5ppm 1.2Tmax)
NOMINAL FREQ.	16.369000 MHz
CUSTOMER P/N	N/A
SHOULDER P/N	TE005H16363TOC(3225TCXO16.369 0.5PPM 3.0V)

[USER]

CHECK	CHECK	APPROVAL
LEO	YORK	PERCY
20	20	20
EXPIRATION DATE	20	

[SHOULDER]

CHECK	CHECK	APPROVAL
LEO	YORK	PERCY
2012 . 08 . 03 .	2012 . 08 . 03 .	2012 . 08 . 03 .

Shoulder Electronics Limited

Add : Headquarter:No. 115, Gaoyun road, Binhu Economic & Technology Development Area, Wuxi, China

Tel : 0510-85629111 Fax : 0510-85627222 Post code : 214124

E-mail : Info@shoulder.cn Web : www.shoulder.cn

ShenZhen Branch

Add : ROOM505,5D CD Bldg.Tian Fa Building,Tian An Cyber park,Fu Tian Dist,ShenZhen,China

Tel : 0755-88291770 0755-88353052 88353815 Fax : 0755-88352771

Part No.		SER No.		Page	2/8
----------	--	---------	--	------	-----

SCOPE

This specification is for SMD TCXO(Temperature Compensated Crystal Oscillator).

APPLICATION STANDARDS

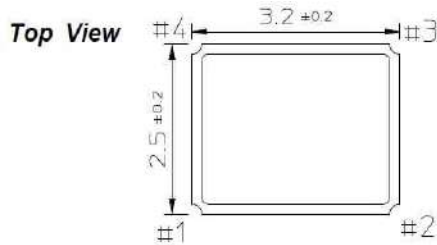
MIL-STD-883.

ELECTRICAL SPECIFICATIONS

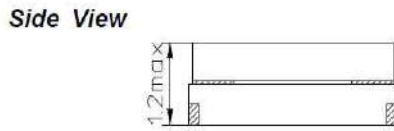
Parameters		Electrical Specifications			
		MIN	TYP	MAX	UNITS
Frequency(Fo) ref: 25°C		16.369000			MHz
Frequency Tolerance at 25°C		-2.0		+2.0	ppm
Frequency Stability	Vs. Temperature Range	-0.5		+0.5	ppm
	Vs. Supply Voltage(±5%)	-0.2		+0.2	ppm
	Vs. Load(±5%)	-0.2		+0.2	ppm
	Vs. Aging(at 25°C)	-1.0		+1.0	ppm/year
Operating Temperature Range		-30		85	°C
Storage Temperature Range		-40		85	°C
Supply Voltage			3.0		VDC
Current Consumption				1.5	mA
Output Voltage Level		0.8			Vp-p
Output Waveform		Clipped Sinewave			
Output Load		10kΩ//10pF			
Start-up Time(90% of Vp-p)				3.0	mS
Duty Cycle		40		60	%
Phase Noise	10Hz Carrier Offset		-86		dBc/Hz
	100Hz Carrier Offset		-115		dBc/Hz
	1KHz Carrier Offset		-138		dBc/Hz
	10KHz Carrier Offset		-146		dBc/Hz
Remark					

Part No.		SER No.		Page	3/8
----------	--	---------	--	------	-----

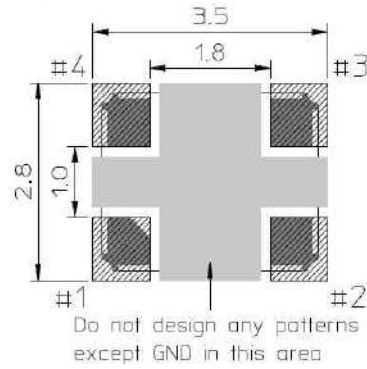
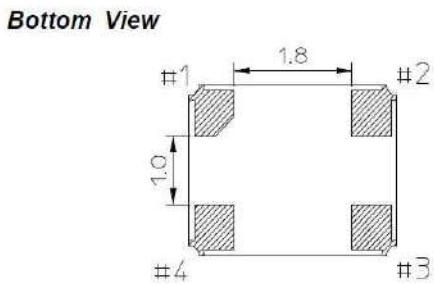
DIMENSIONS(UNIT: mm)



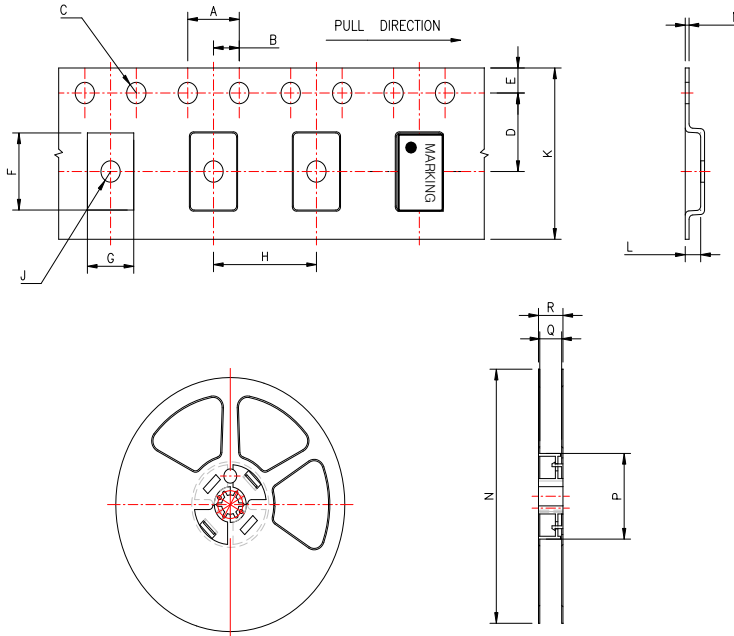
No.	Connection
#1	GND
#2	GND
#3	Output
#4	Vcc



*** Recommended Land Pattern (Top View)**



PACKING(UNIT: mm)

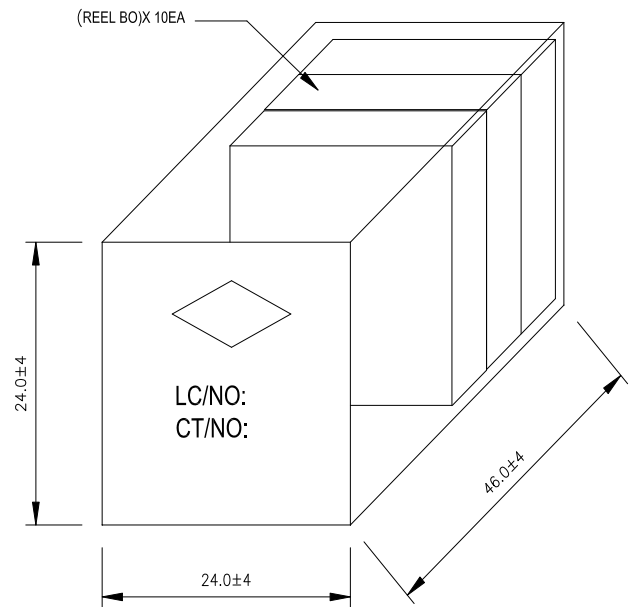
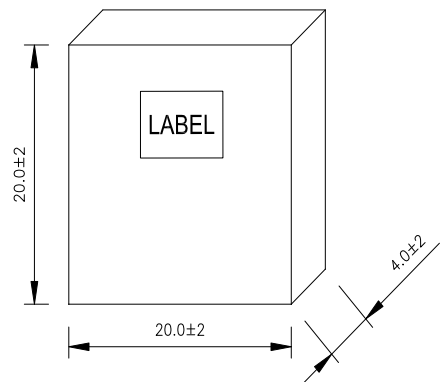
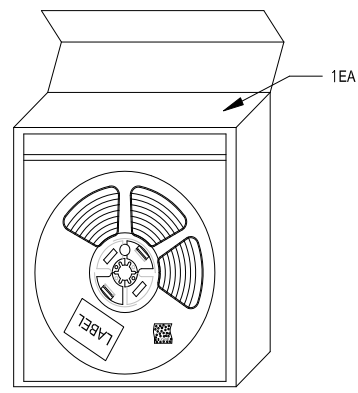
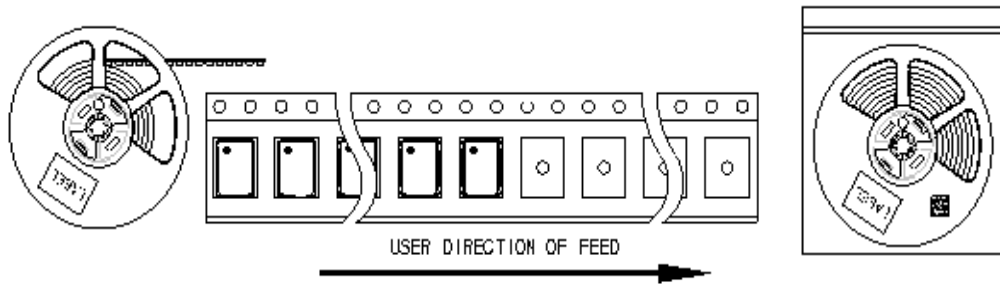


	A	B	C	D	E	F	G	H	J	K	L	M	N	P	Q	R	QTY
SIZE	8.00	2.00	φ1.50	5.50	1.75	5.35	3.50	8.00	φ1.50	12.0	1.50	0.29	φ178	φ60	13.00	16.00	3000

1. TOP TAPE START 250mm MINIMUM LEADER AND 160mm EMPTY POCKETS
2. END TAPE 250mm MINIMUM EMPTY POCKETS

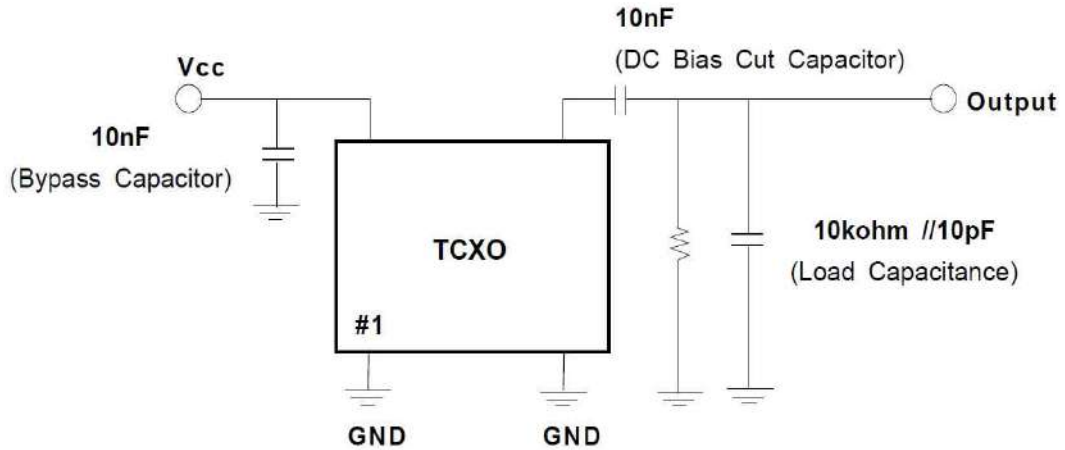
Part No.		SER No.		Page	4/8
----------	--	---------	--	------	-----

OUTBOX DIMENSIONS(CM)



Part No.		SER No.		Page	5/8
----------	--	---------	--	------	-----

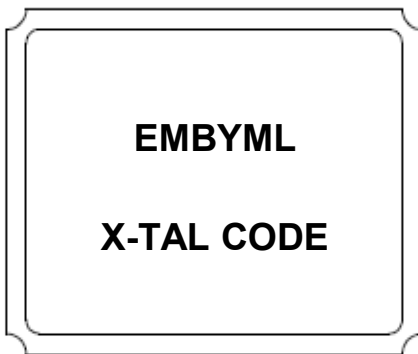
TEST DIAGRAM



※ Note

1. Be cautious of TCXO pin connection.
2. Load Capacitance includes probe and test JIG capacitance.

MARKING



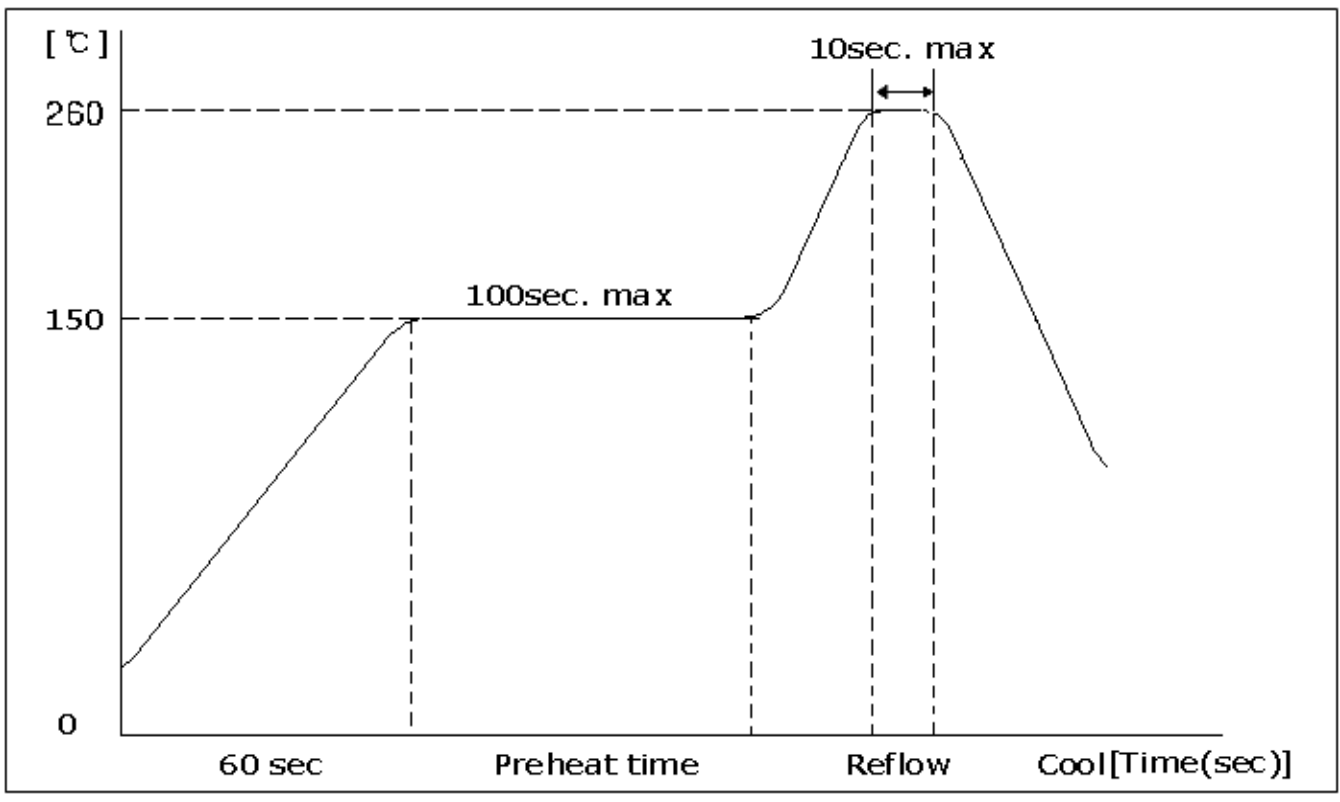
1. E : Initial
2. M : Frequency Code
3. B : Control Code
4. Y : Year
5. M : Month
6. L : Date

Part No.		SER No.		Page	6/8
----------	--	---------	--	------	-----

RELIABILITY SPECIFICATION

NO	ITEMS	CONDITIONS
1	Solderability	Solder dip at 260°C for 5 seconds
2	Vibration	20 - 2000-20Hz , 1.55mm total amplitude, each directions(X,Y,Z)/3times, 4min
3	Drop	3 times drop onto hard wooden board from 75cm
4	High Temp. High Humidity	+45°C ±2°C , RH=90%±5% 96 hours minimum
5	High Tempe. Storage	+100°C ±5°C , 100 hours minimum
6	Low Tempe. Storage	-55°C ±5°C , 100 hours minimum
7	Thermal Shock	-25°C ±5°C , +85°C ±5°C , 15 minutes each 10 cycles
8	Aging	+125°C ±5°C , 24 hours minimum
9	Reflow	+260°C max, 10sec max

REFLOW SPECIFICATION



Part No.		SER No.		Page	7/8
----------	--	---------	--	------	-----

APPLICATION GUIDELINES

Correct application and strict adherence to the important information listed below, will be ensure optimum performance of the crystal oscillator.

SHOCK RESISTANCE

SHOULDER's all products are designed to endure physical shocks.

(Drop test consist of three drops onto a hard wooden board from a height of 75cm)

Nevertheless, under some condition, crystal products may be damaged by drops or Shocks during mounting.

It is important, therefore, to run mounting machines as smoothly as possible to

Prevent under shocks. Please review conditions prior to using a mounting machine.

VIBRATION RESISTANCE

Mechanical vibration of a piezo buzzer could cause frequency and amplitude

Change to the output frequency. It is advisable to use cushion or cutting PCB, if

You mount on same PCB.

SOLDERING CONDITION

Please keep the conditions of "Reflow diagram"

STORAGE

We recommend storing products at +15°C to +35°C and 25% R.H to 75% R.H

RoHS

SHOULDER's all products are complies with all relevant international regulations concerning he substances with environmental impacts.