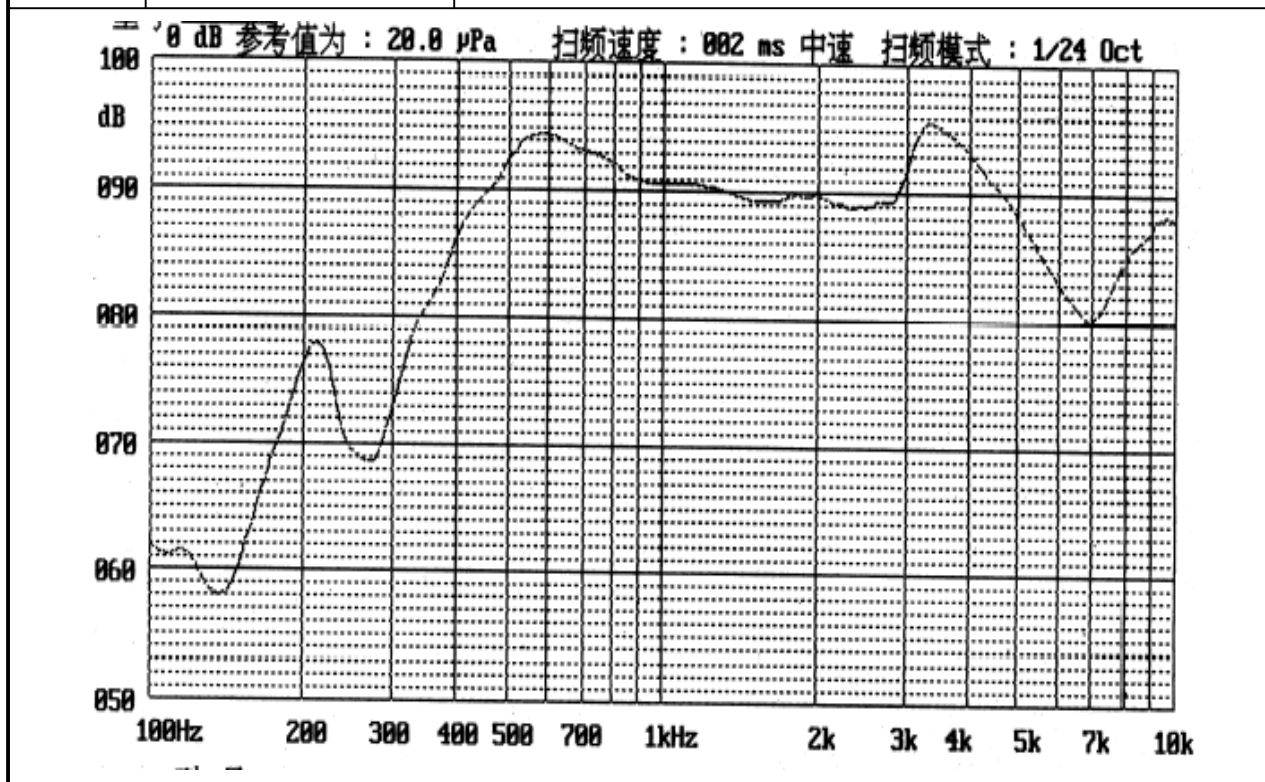
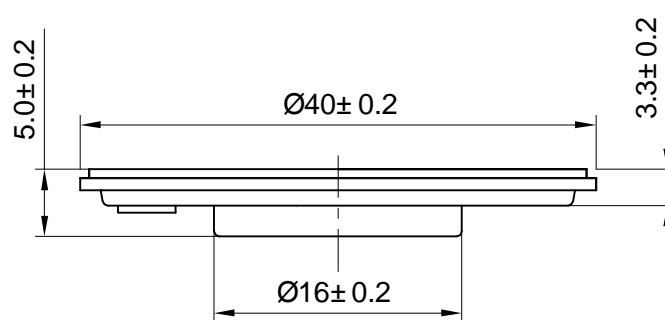
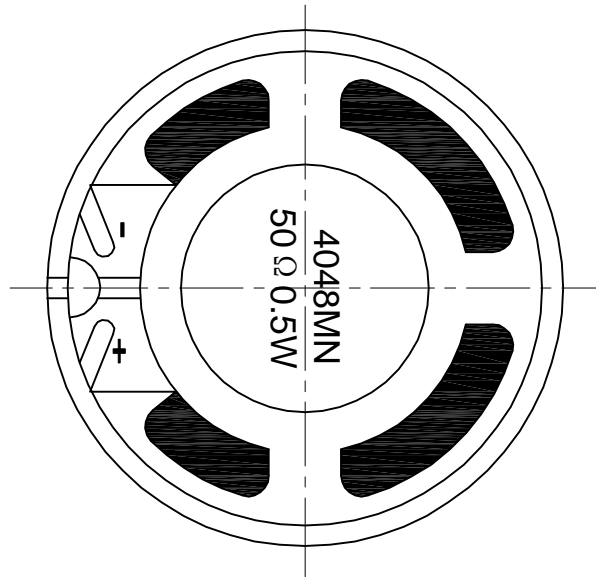


# Speaker Specification

Customer's Model No.		Customer		QUARTZ-1	
Kepo Model No.		KPSP4048MN-50/0.5F	Size	Φ 40mm	No. J22299
No.	Item	Specification		Test Condition	
1	Impedance	50Ω± 15%		at 800Hz	
2	Resonant Fr. (f <sub>0</sub> )	450Hz± 20%			
3	Frequency Range	F0-7.0KHz			
4	Rated Power	0.5W			
5	Max Power	0.6W			
6	S.P.L.	90± 3dB		1W/1M /0.8, 1.0, 1.2, 1.5kHz	
7	Distortion	Max 5%		at rated power 1.0kHz	
8	Sweep Test	must be normal		at sine wave 5.0 V	
9	Load Test	after test meet item 8		rated noise power, 24 Hrs.	
10	Heat Test	after test meet item 8		50± 2℃ 5Hrs.	
11	Cold Test	after test meet item 8		-20± 2℃ 5Hrs.	
12	Humidity Test	after test meet item 8		40± 2℃,90/95%R.H. 5Hrs.	
13	Weight				
14	Polarity Test	When supplied plus D.C. voltage to (+) terminal, the cone must move to forward.			
15	Note				



Dimensions:



FIRST ANGLE PROJECTION

UNIT : mm  
Tolerance : ± 0.2