

SPECIFICATION


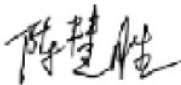

受 控

Customer :
Applied To :
Product Name : MIC
Model Name : KPCM-G97H45P-64dB-1312
Drawing No. : KIC1312

Signature of Appronal

--

Signature of KEPO

Approved by	Checkde by	Issued by	Date
			2013-8-23



宁波凯普电子有限公司
Ningbo Kepo Electronics Co.,Ltd.

宁波东钱湖镇东钱湖工业区宝源路 25 号
TEL:+86-574-88370330 FAX:+86-574-88370329

No.25 Baoyuan road Dongqian Lake, Industry Area, Dongqian town,Ningbo City,
China(Post Code:315121)
Sales@chinaacoustic.com www.chinaacoustic.com

Specification for Microphone	Page	2/8
	Revision No.	1.1
Model No. : KPCM-G97H45P-64dB-1312	Drawing No.	KIC1312

CONTENTS

1. Scope
2. General
3. Electrical and Acoustic Characteristics.
4. Mechanical characteristics and environmental test
5. Measurement Block Diagram & Response curve
6. Dimensions
7. Packing
8. Revision

Specification for Microphone		Page	3/8
		Revision No.	1.1
Model No. : KPCM-G97H45P-64dB-1312		Drawing No.	KIC1312

1. Scope

This specification applies electret condenser microphone.

2. General

2.1 Out-Diameter : 9.7 mm

2.2 Height : 4.7 mm

2.3 Weight : ≤ 0.8 g

2.4 Operating Temperature range: '-20 ~+70°C without loss of function

2.5 Store Temperature range: '-20~+70°C without loss of function

3. Electrical and Acoustic Characteristics.

Test condition : 15 ~ 35 °C, 45% ~ 85% RH, 86~106kpa

No	Items	Symbol	Unit	Specification	Condition
1	Directivity			Omni-directional	
2	Sensitivity	S	dB	-64dB \pm 3	0dB=1V/ubar, 1KHz
3	Standard Operation Voltage	Vs	V.D.C	2.5	
4	impedance	Zout	K Ω	2.2MAX	f=1KHz, 1ubar
5	Max operating voltage		V.D.C	10	
6	Sensitivity reduction	Δ S-Vs	dB	-3	f=1KHz, 1ubar Vs=2.5v-1.5V.D.C
7	Frequency	f	Hz	20-16,000	
8	Max. Current Consumption	IDss	mA	0.5	Vs=2.5V, RL=2.2K Ω
9	Max input Sound Pressure Level	SPL	dB	110	
10	Signal to noise ration	S/N	dBA	60	f=1KHz, 1ubar A weighted
11	Material			AL 铝	
12	Terminal				See appearance drawing
13	Environmental Protection Regulations			RoHS	

We use "Pascal (Pa)" indication of sensitivity as per the recommendation of I.E.C (International Electro technical Commission). The Sensitivity of "Pa" will increase 20dB comparing with "ubar" indication.

Example : -60dB(0dB=1v/ubar)=-40dB(1v/Pa)

Specification for Microphone

Page

4/8

Revision No.

1.1

Model No. : KPCM-G97H45P-64dB-1312

Drawing No.

KIC1312

4.1 Mechanical Characteristics

No.	Item	Test Condition	Evaluation standard
1	Vibration	Frequency1 10Hz-55Hz Amplitude ±0.15mm Frequency2 55Hz-150Hz Acceleration 20m/s ² Change of Frequency 1 octave/min 2 hrs in each of 3axes	After any tests,the sensitivity to be within ±3dB
2	Shocks	Pulse Shape Half Sinusoidal Pulse Duration 11ms Acceleration 150m/s ² Number of Jolts 10 in each of 3 axes	

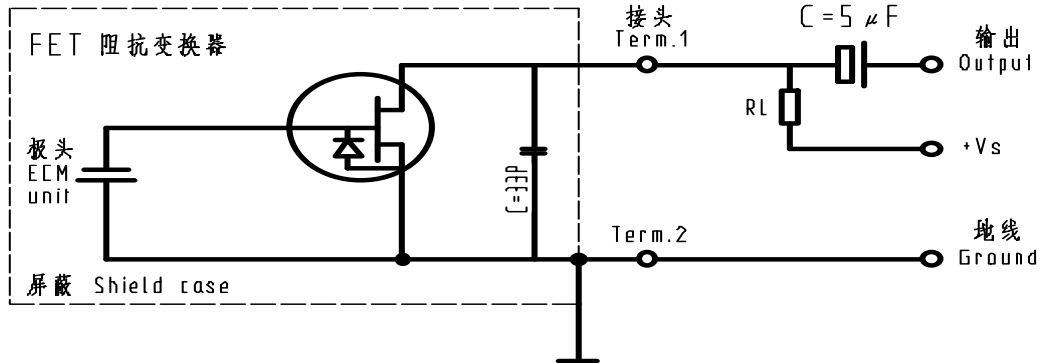
4.2 Environmental test

No.	Item	Test Condition	Evaluation standard
1	High temperature test	After being placed in a chamber at +70 °C for 72 hours.	After any tests,the sensitivity to be within ±3dB of initial sensitivity after6 hours of conditioning at +25°C
2	Low temperature test	After being placed in a chamber at -20°C for 72 hours.	
3	Humidity Test	After being placed in a chamber at +40°C and 90 ±5% relative humidity for 120 hours.	
4	Temperature cycle test	-20°C - 25°C - 70°C (2H)(1H)(2H)(1H)(2H) 10cycles	

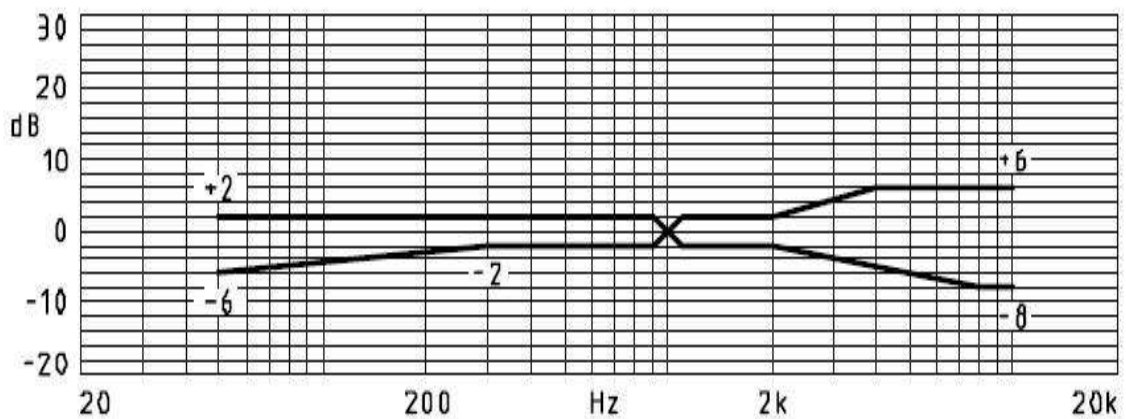
5. Measurement Block Diagram & Response curve

5.1 Measurement Block Diagram

Schematic Diagram $V_s = 2.5V$; $R_1 = 2.2K\Omega$



5.2 Response curve



Specification for Microphone

Page

6/8

Revision No.

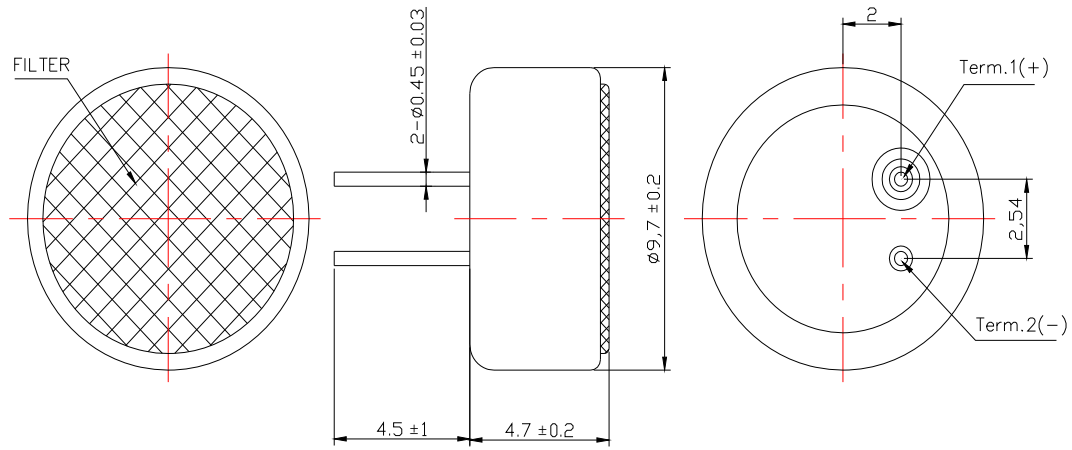
1.1

Model No. : KPCM-G97H45P-64dB-1312

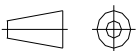
Drawing No.

KIC1312

6. Dimensions



FIRST ANGLE PROJECTION



UNIT : mm

Tolerance : ± 0.2

Specification for Microphone

Page

7/8

Revision No.

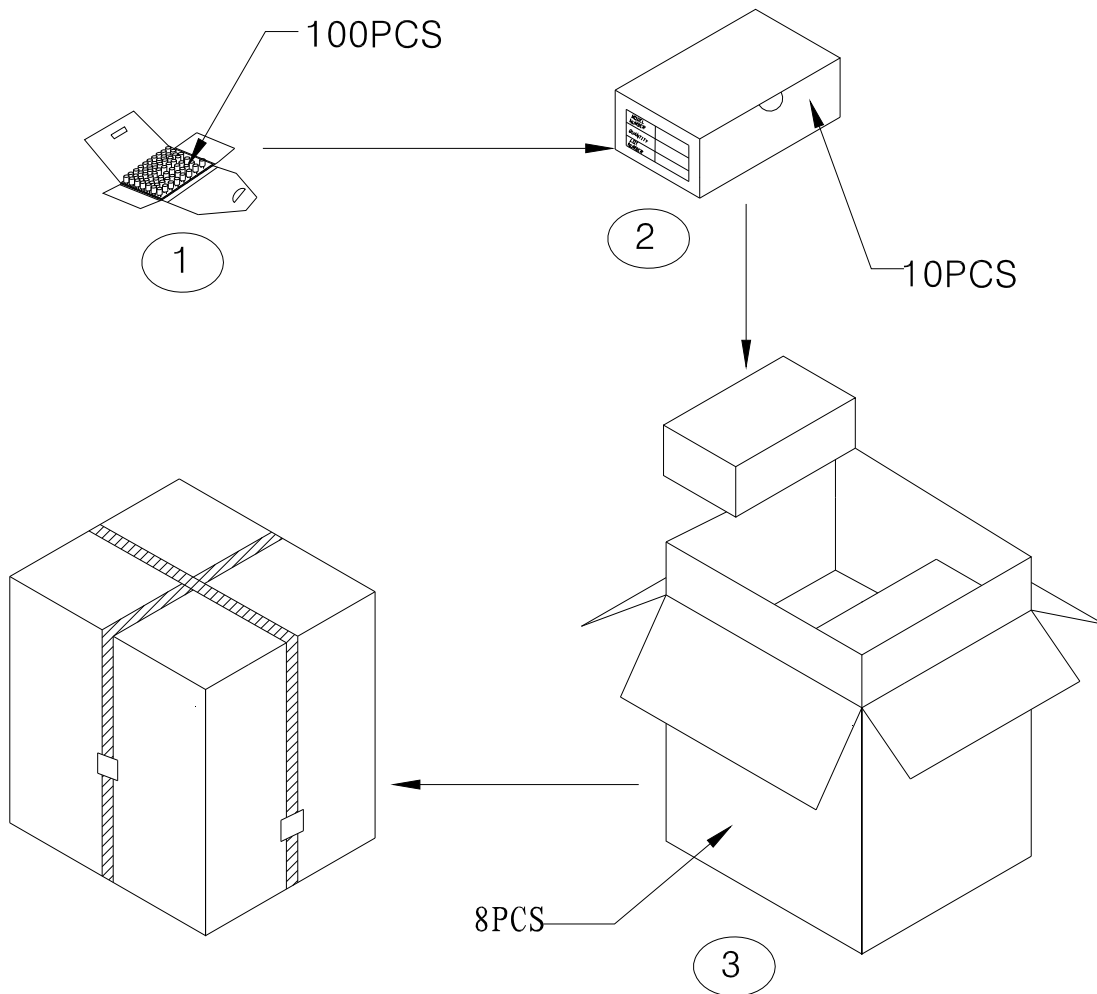
1.1

Model No. : KPCM-G97H45P-64dB-1312

Drawing No.

KIC1312

7. Packing



序号	名称	规格	数量
1	小包装盒	100mmx100mmx11mm	100PCSx1=100PCS
2	中包装盒	205mmx105mmx65mm	100PCSx10=1000PCS
3	大包装盒	230mmx230mmx320mm	1000PCSx8=8000PCS

Specification for Microphone		Page	8/8
		Revision No.	1.1
Model No. : KPCM-G97H45P-64dB-1312		Drawing No.	KIC1312

8. Revision

Rev. No.	DATE	PAGE	DESCRIPTION	BOM
1.0	2013.07.25	/	Primary	
1.1	2013-8-23	6	NEW Design	