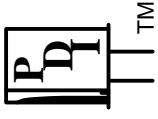


Precision Devices, Inc.



TM

8840 N. Greenview Dr.
 Middleton, WI 53562
 Phone: 608-831-4445
 1-800-274-XTAL
 Fax: 608-831-3343



TM

Visit our web site at www.pdixtal.com

Sales Information sales@pdixtal.com

ELECTRICAL SPECIFICATIONS:

1. Center Frequency (Fo): 16.9 Mhz
2. Bandwidth @-3.0db: ±7.5Khz minimum
 @-20.0db: ±35.0Khz maximum
3. Insertion Loss: 2.0db maximum
4. Ripple: 1.0db maximum
5. Ultimate Attenuation: 60.0db minimum
 Minimum of 70.0db attenuation at 15.990Mhz ±10 kHz
6. Spurious (Within Fo+300Khz): 40.0db minimum
7. Termination Impedance: 1200 Ohms ±10%/3.0pf
8. Operating Temperature Range: -20°C to +85°C
9. Package: (2) HC-49/U Matched Crystals
10. Coupling Capacitance: 10.0pf

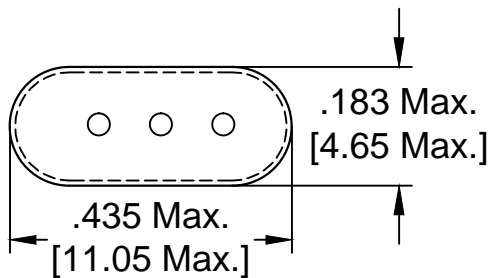
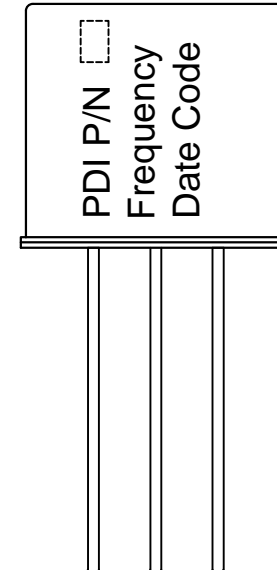
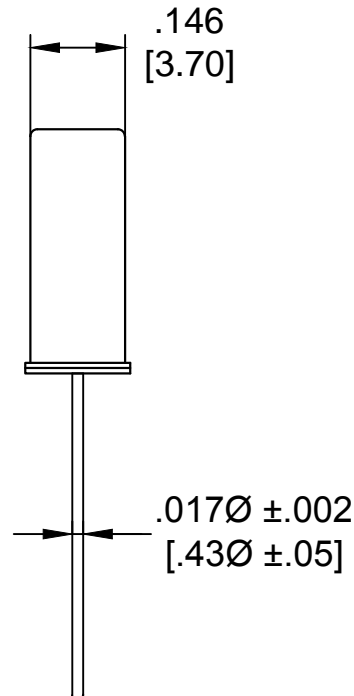
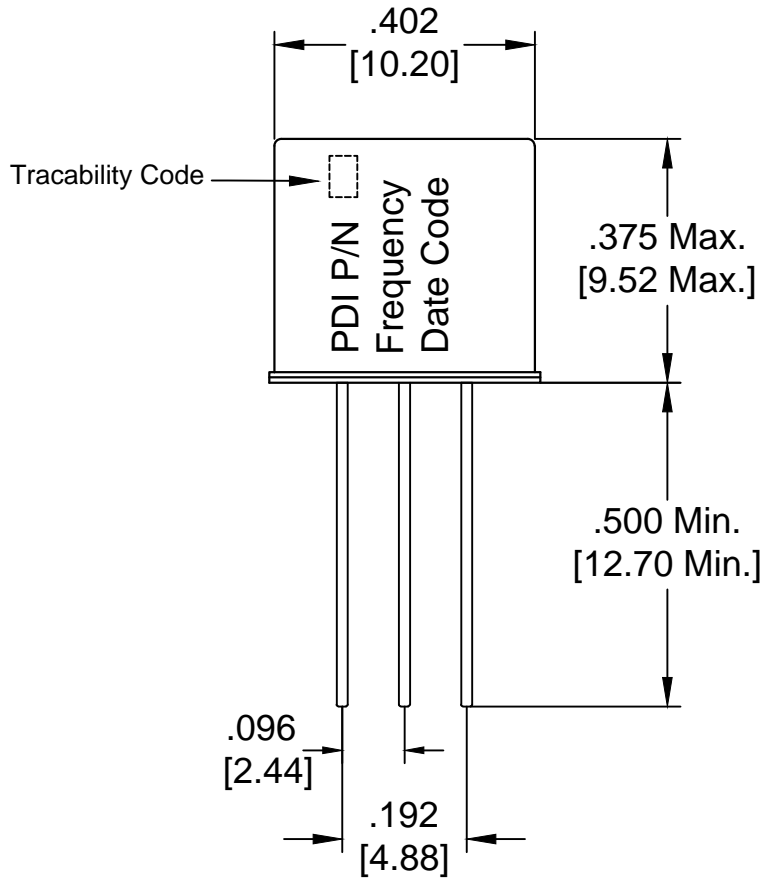
The information contained in this drawing is the sole property of Precision Devices Inc. Any reproduction in part or as a whole without the written permission of Precision Devices Inc. is prohibited.

REV.	DATE	PAGE	DESCRIPTION	Auth.	ECN
			TITLE Final Assembly		
			PART NUMBER FTR-3565		
			DATE 4/9/2012	SCALE N.T.S.	ECN. N/A
			SIZE A	CAGE 0S4G1	REV. N/A
					Page 1 of 2

FOR PRELIMINARY USE ONLY
 Specifications subject to change without notice.



Black Color Code



Precision Devices Inc.

8840 N. Greenview Dr.
Middleton WI 53562
608-831-4445
1-800-274-XTAL



Manufacturer of Quartz Crystal Products

DECIMAL XX= \pm .020 XXX= \pm .008	PART NUMBER FTR-3565		DRAWN BY D. Gibney
METRIC XX= \pm .50 XXX= \pm .20	SCALE N.T.S.	FREQUENCY 21.400 MHz	DATE 4/9/2012
ANGULAR XX= \pm 2°	REV. LEVEL N/A	ECN NO. N/A	CAGE CODE 0S4G1