

Push Button Switch

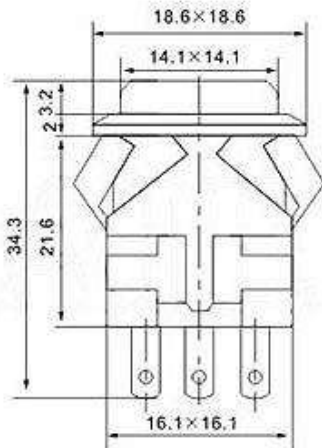
Q-794

TYPE: **KD2-23**

SPECIFICATIONS

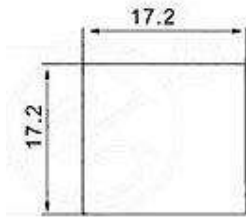
Rating: 3A 250V AC
Contact R: 35mΩ max
Insulation R: 500V DC 100MΩ min
Dielectric Strength: 1 Minute 1500V AC
Operating Temperature: -25°C ~ +85°C
Electrical Life: 10, 000 Cycles

Outline Drawing

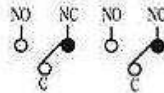


Здесь ваш текст 1

Mounting



Circuitry



ON - ON